

PRODUCT DESCRIPTION

Triversa Prime is constructed with a stone polymer composite (SPC) solid core that provides strength, durability and superior indentation resistance. Using the SmartLock glue-less locking system, Triversa Prime can be installed over a wide variety of surfaces as a completely floating floor in residential and light commercial applications. It can also be installed fully adhered in commercial environments subjected to heavy rolling loads, or where high performance requirements must be met.

ADHESIVE DESCRIPTION

UnderFlor CR021 wet set adhesive is recommended for all fully adhered applications over non-porous surfaces.

WARNING
Existing Resilient Flooring

DO NOT SAND, DRY SWEEP, DRILL, SAW, BEADBLAST, OR MECHANICALLY CHIP OR PULVERIZE EXISTING RESILIENT FLOORING, BACKING, LINING FELT, ASPHALTIC “CUTBACK” ADHESIVE, OR OTHER ADHESIVE. THESE PRODUCTS MAY CONTAIN ASBESTOS FIBERS AND/OR CRYSTALLINE SILICA. AVOID CREATING DUST. INHALATION OF SUCH DUST IS A CANCER AND RESPIRATORY TRACT HAZARD.

Various federal, state, and local government agencies have regulations governing the removal of in-place asbestos containing material. If you are considering the removal of a resilient floor covering structure that contains or is presumed to contain asbestos, you must review and comply with all applicable regulations. Regulations outside the United States may vary. Copies of the Resilient Floor Covering Institute Recommended Work Practices for the Removal of Resilient Floor Coverings are available from:

Resilient Floor Covering Institute
115 Broad Street
Suite 201
LaGrange, GA 30240
www.rfci.com

MOLD AND MILDEW ISSUES

Prior to removing an existing floor following the RFCI Recommended Work Practices for Removal of Resilient Floor Coverings (unless state or local law requires other measures), if there are visible indications of mold or mildew or the presence of a strong musty odor in the area where resilient flooring is to be removed or installed, the source of the problem should be identified and corrected before proceeding with the flooring work.

To deal with mold and mildew issues you should refer to the EPA guidelines that address mold and mildew. Depending on the mold and mildew condition present, those remediation options range from clean up measures using gloves and biocide to hiring a professional remediation contractor to address the condition. Remediation measures may require structural repairs such as replacing the underlayment and/or subfloor contaminated with mold and mildew as a result of prolonged exposure to moisture.

The EPA mold guidelines are contained in two publications “A Brief Guide to Mold, Moisture and Your Home” (EPA 402-K-02-003) and “Mold Remediation in Schools and Commercial Buildings” (EPA 402-K-01-001). Appendix B of the “Mold Remediation in Schools and Commercial Buildings” publication describes potential health effects from exposure to mold, such as allergic and asthma reactions and irritation to eyes, skin, nose and throat. These publications can be located on EPA’s website www.epa.gov/mold.

LEAD PAINT

Installers should follow the EPA’s 2008 Lead-Based Paint Renovation, Repair and Painting (RRP) Rule (as amended in 2010 and 2011). Under the rule firms performing renovation, repair and painting projects that disturb lead-based paint in homes, child care facilities, and kindergartens built before 1978 must be EPA- or state-certified and must use certified renovators who follow specific work practices to prevent lead contamination. This includes in-house maintenance staff and many types of outside contractors.

SAFETY PRECAUTIONS

Safety for yourself and others on the job site is your responsibility as a professional flooring installer. Read and observe the following safety precautions.

- Keep work areas free of obstructions, such as tools, scraps or loose tiles, and dispose of scrap materials promptly and properly to eliminate a slip or trip hazard.
- Always use the correct lifting practices.
- Use heavy-duty extension cords and keep them in good repair.
- If using minerals spirits as suggested in this guide, **CAUTION: Minerals spirits is a flammable material. Read and follow cautionary instructions on the labels of these products.**
- Wear protective equipment when appropriate such as safety glasses, respirators, NIOSH-designated dust masks, knee-pads, gloves, etc.

Read and follow the safety precautions and warnings printed on the label of the installation accessory products being used. Obtain the appropriate Safety Data Sheets (SDS) for information that may be required for products which may contain hazardous materials. You may obtain an SDS for Congoleum products by calling or writing to your Congoleum distributor or contacting Congoleum Flooring, Installation Department, 3500 Quakerbridge Road, Mercerville, NJ 08619, or calling at 609-584-3805.

GENERAL INFORMATION

- Flooring installation should be scheduled after all other trades have completed their work.
- The HVAC systems must be in operation for at least 7 days prior to flooring installation and thereafter to maintain a constant temperature.
- Under typical conditions, Triversa does not need to be acclimated to the jobsite. Acclimation is recommended if extreme temperature variations occur during storage or transportation. For best results, acclimate the room(s) at a constant temperature between 65°F and 85°F for 48 hours prior to and during the installation. Temperature thereafter should be maintained between 32° F and 110° F.
- Handle cartons and flooring carefully to protect the locking edge profile.
- Un-opened cartons of flooring should be neatly stacked in the room (maximum 10 cartons high) where they will be installed during the acclimation period. Avoid placing cartons in direct sunlight during acclimation. Open cartons just prior to installation.
- Cabinets may be installed on top of Triversa Prime in residential installations following these specific guidelines. The subfloor must be completely flat and secure. Level wavy floors or uneven areas that exceed 3/16" in 10' or 1/16" in 1'. Cabinets must be secured to the wall but never fastened through the flooring. Allow 1/4" expansion space around any pipes or other fixed objects.
- When using flooring from two or more cartons, make sure pattern and run numbers found on the carton are the same.
- Install flooring from several different cartons to achieve a random appearance. Install flooring to achieve a balance of color without clusters of similar planks or tiles.
- Always allow a 1/4" expansion space around the entire perimeter of the room, at all base cabinets, fixtures and pipes. Cover the exposed edges with trim or fill the gap with a high quality acrylic caulking.
- If the installation area has a width and/or length greater than 50 lineal feet, an expansion joint will be required. Cover the expansion joint with a Congoleum Transition molding.

TOOLS AND MATERIALS

- CR021 Adhesive – For fully adhered applications only
- 1/16"x 1/16" x 1/16" square notched trowel – For fully adhered applications only
- 100-pound, 3-section, steel roller – For fully adhered applications only
- Chalk line
- Carpenter square
- Sharp utility knife and replacement blades (tile cutter optional)
- Cutting board
- Tape measure
- Pencil
- Hammer
- Tapping Block
- Pull bar
- 1/4" spacers
- Power circular saw or jigsaw

PREPARING THE AREA

- Move all furniture, appliances, and fixtures from the room.
- Remove all wood, metal or vinyl transition strips, base moldings or other restrictive molding from doorways, walls, etc.
- Undercut wood door casing where possible so that the flooring can be slid under it.

SUBFLOOR INFORMATION

The existing subfloor type and condition, preparation involved, cost and replacement ease, are all important considerations when selecting the best installation method for a particular job. The chart below provides a list of common subfloors and requirements for floating and fully adhered installation methods.

Subfloor Surface	SmartLock Floating Installation	Installing Directly Adhered to Subfloor
Suspended Wood subfloor over joists or trusses up to 19.2" OC over 18" of well-ventilated air space	Single layer Sturd-I-Floor rated panel 23/32" or heavier, or double layer construction, minimum 1" thick.	Double layer construction, minimum 1" thick with suitable ¼" thick underlayment panel. Do not install directly adhered over oriented strand board or particle board.
Wood panel underlayment	Plywood and other hardwood veneer panels, oriented strand board, NPA rated particle board. The surface must be smooth and structurally sound.	APA rated Underlayment grade plywood and other underlayment grade veneer panels that are intended for use as flooring underlayment and that carry a written warranty by the panel manufacturer.
Concrete, on, above and below grade	ASTM F1869 - MVER not to exceed 12 lbs. /1000 ft ² /24 hrs. ASTM F2170 – Relative Humidity not to exceed 95%.	ASTM F1869 - MVER not to exceed 12 lbs. /1000 ft ² /24 hrs. when tested with anhydrous calcium chloride test kits. ASTM F2170 – Relative Humidity not to exceed 95%.
Lightweight Concrete or Gypsum Topping with a minimum 100 lb. dry density and minimum 3000 psi compression rating	Preferred Method Must be smooth, dry and in sound condition. Repair all cracks, holes and damaged areas.	Must be smooth, dry and in sound condition. Repair all cracks and damaged areas. Seal with a sealer/primer recommended by the topping manufacturer. A bond test is recommended. Do not install over powdery surfaces.
Radiant Heated Floors	Preferred Method	Gapping at end joints can occur with temperature fluctuations.
	The temperature of the floor should be limited to 70°F (21°C) for 48 hours before, during and 48 hours after installation. There after the temperature should be raised gradually to the desired temperature. The maximum floor temperature should not exceed 85°F (29°C).	
Existing Resilient Flooring and Tile	Must be single layer of flooring, fully adhered and in good condition. Do not install over heavy cushioned or cushioned backed flooring or tile installed below grade.	Must be single layer, fully adhered, and in good condition. Do not install over heavily cushioned floors, cushioned-backed flooring, flooring containing asbestos self-adhered tile, tile installed below grade level, or products with ScotchGard™ or other non-stick coatings. Remove wax or polish and level embossed areas with a Portland cement-based Patching compound.
Ceramic, Marble and Granite	Tile must be well bonded. Grind high spots and fill low areas and grout joints to a smooth, flat surface with a latex modified Portland cement underlayment.	
Patching Compound	Portland cement-based compound such as Mapei Plani-Patch, Ardex Feather Finish or equal.	

SUBFLOOR PREPARATION

All subfloor surfaces must be clean, dry, smooth, and structurally sound. The surface should be free of contaminants or reagents that can interfere with adhesion or cause discoloration to the floor such as paint, wax, oil, grease, solvent, adhesive residue, curing and parting compounds, sealers and surface hardeners on floors that are to be directly bonded to the subfloor only. Floating installations can be installed over paint, dry adhesive residue, wax, curing and parting compounds, sealers and surface hardeners.

Deviations in the flatness of the subfloor cannot exceed 1/16" in 1' or 3/16" in 10'. Regardless of the installation method, all surface imperfections should be leveled with a Portland cement-based patching compound. Gypsum-based patching compounds are not recommended.

Wood floors must be structurally sound and free of movement with at least 18" (46 cm) of well-ventilated air space below. An effective vapor barrier laid on the ground surface must be used in a crawl space. Do not install flooring over wood subfloors laid directly on concrete or over sleeper construction laid over concrete subfloors. Sand joints smooth and set fasteners 1/32" (.8 mm) below the surface. Fill joints wider than 1/32" (.8 mm) when bonding flooring directly to the subfloor. Rough, weathered or damaged subfloor panels must be sanded smooth or covered with a suitable underlayment panel. Always follow underlayment manufacturer installation recommendations.

Congoleum will not assume responsibility for claims related to subfloor problems regardless of the underlayment or subfloor material used.

Concrete floors must be constructed, finished and cured in accordance with the latest guidelines of the American Concrete Institute (ACI) 302 Guide for Concrete Floor and Slab Construction and ASTM F710 "Standard Practice for Preparing Concrete Floors to Receive Resilient Flooring". The concrete slab must be protected from ground moisture with an effective and intact vapor retarder. Moisture vapor emissions must not exceed 12-lbs. /1000 ft.²/24 hrs when tested with anhydrous calcium chloride test kits in accordance with ASTM F1869 or be greater than 95% RH (relative humidity) when tested with in situ probes in accordance with ASTM F2170. Surface pH must be less than 11. Level rough or uneven surfaces, cracks and control joints with a Portland cement-based patching compound. Do not install flooring over expansion joints or in areas with excessive moisture vapor emissions, known hydrostatic pressure problems or high alkali conditions exist.

Existing resilient floors must be single layer, fully adhered and well bonded over an approved subfloor. Remove all wax, floor finish or polish prior to installation. Use a Portland cement-based patching compound to level embossed floors. Do not install new flooring over loose laid or perimeter fastened floors, soft or heavily cushioned floors, cushioned-backed flooring, flooring containing asbestos, self-adhered tile, tile installed below grade level, or products with ScotchGard™ or other non-stick coatings. Installation over existing flooring may reduce the indentation resistance of the new floor.

Adhesive residue must be completely removed on installations where flooring will be directly bonded to the subfloor. Refer to the Resilient Floor Covering Institute (RFCI) Recommended Work Practices for procedures involving adhesive removal. Do not use solvent or liquid adhesive removers to remove old adhesive residue. These products can have a damaging effect on the new floor and adhesive.

INSTALLATION RECOMMENDATIONS

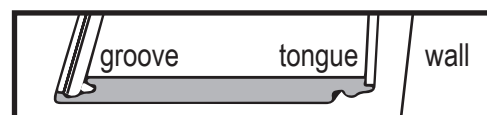
For best appearance, planks should be installed parallel to the long dimension of the room and preferably parallel to outside light sources i.e. windows and doors.

Measure the width of the room and snap a chalk line down the center of the floor. Determine the width of the plank in the starting row against the starting wall either through measurements or dry layouts. If smaller than one-half of the plank width, adjust the chalk line in either direction one-half of the plank width to achieve a balanced layout and avoid narrow pieces at the side walls.

The flooring can be cut using a score and snap technique (score with a sharp utility knife blade and carefully snap the plank) or a power circular saw or jigsaw. Exercise care when using the score and snap method to avoid damaging the edge profile.

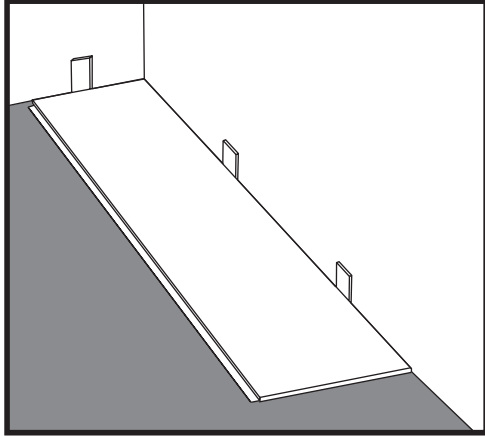
Scribe and cut the first row of planks along the wall if the wall is irregular or if the starting row is narrower than a full plank width. Plan the layout to avoid using small planks (less than 8") at the walls. The cut piece at the end of the row can often be used to start the next row provided it achieves a random layout. Always place the cut end against the wall and allow a 1/4" expansion space.

Start the installation in the left hand corner of the room with the tongue side toward the starting wall.



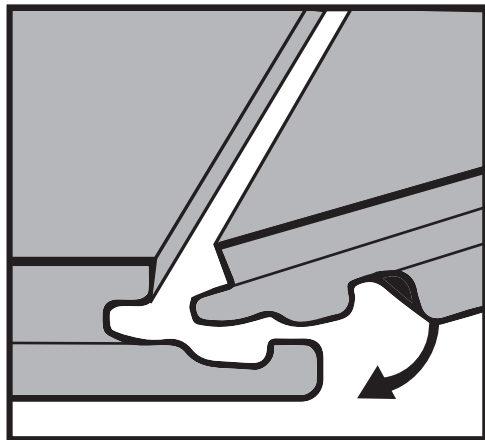
Start the first row with the tongue against the wall.

Insert 1/4" spacers for expansion along the edges and ends where the planks meet the wall.



Use spacers to maintain 1/4" expansion space around perimeter.

Attach the second plank to the first plank in the first row by holding the plank at a low angle to the floor and inserting the end tongue into the end groove, applying light pressure inward and down until the planks secure together.



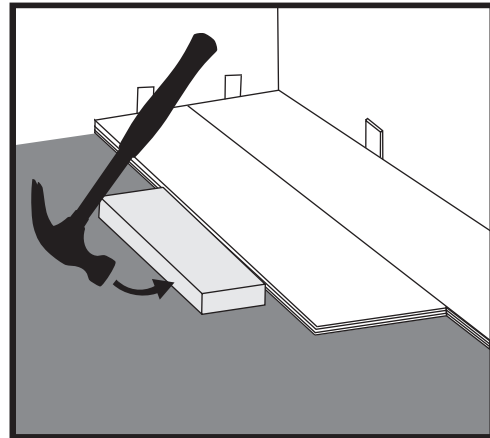
Connect at a low angle and press downward.

Repeat this process using full planks and finish the row by measuring and cutting the final plank to fit. Use spacers in the first row between the edge and end of the last plank and the wall to maintain a 1/4" expansion space.

Start the second row using the piece cut from the last piece in the first row as long as it is more than 8". Place the cut end against the wall. Insert the tongue on the long side of the plank

into the groove of the plank in the first row. Hold the plank in a low angle while applying light pressure inward and down until they secure together.

Then, use a hammer and tapping block to secure long side of the planks together. Be sure to tap on the edge of the vinyl so as not to damage locking profile.

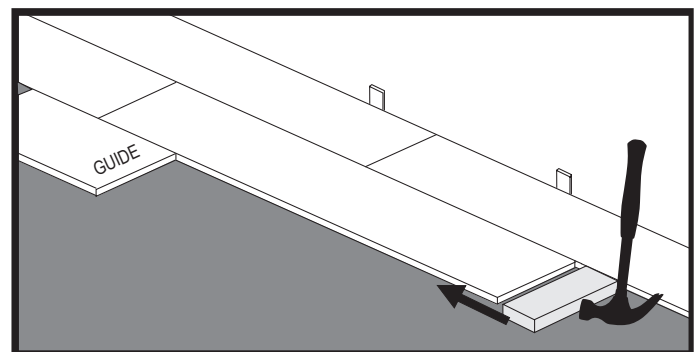


Use a tapping block and hammer to tightly secure planks.

Insert the tongue of the next plank into the groove of the plank in the first row. Hold the plank in a low angle while applying light pressure inward and down until they secure together. Slide the plank toward end of previously installed plank until the tongue just touches the groove.

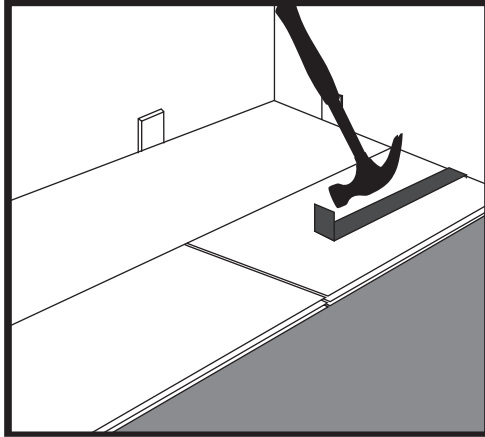
Attach a scrap piece of flooring as a guide to bridge the gap between the ends of the planks.

Tap the end of plank using a hammer and tapping block to secure ends of planks together.



Use a scrap as a guide to keep planks aligned and tap together at the opposite end.

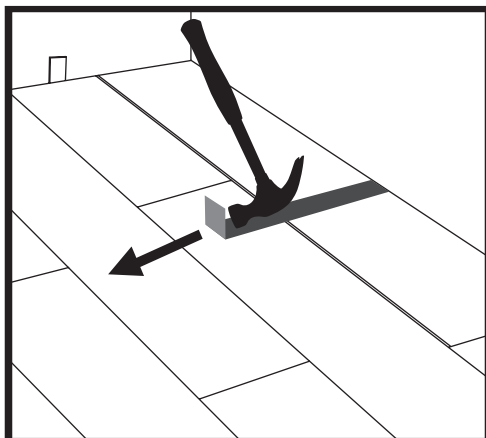
Remove the guide and continue installing the second row in the same way. Use a hammer and pull bar to secure final piece in the second row allowing a 1/4" expansion space at the end of the row.



Use a pull bar and hammer to secure the final piece in a row.

Complete each row thereafter in the same manner using a random layout with end joints off-set by at least 8". Work from several different cartons to ensure a random pattern layout. Tapping planks together can shift the entire floor. Periodically check the floor for straightness by measuring from the edge of a complete row to the wall at both ends of the room. If the measurements don't match, adjust the floor until they do.

If the wall along the last row of planks is irregular, scribe the planks to fit and cut them. Use a hammer and pull bar to secure long edges of planks on final row. Always use a pull bar on the cut edge of the plank. Factory edges can be damaged if the pull bar is used directly against them.



Use the pull bar to secure the final row.

Triversa can be installed easily when working forward (placing the tongue in to the groove) or backward (placing the groove in to the tongue). This allows for easy fitting around door trim and changing direction to go into alcoves or adjoining rooms.

Triversa can also be assembled by using a pull bar or tapping block in difficult areas such as the last row and when fitting around any door trim. When fitting around door trim it will be necessary to slide the plank under the trim. This can be accomplished by starting the row on the side of the room with the door trim and then sliding the plank into place once it is attached. The row can be completed by inserting the tongue in to the groove or the groove into the tongue depending on the direction.

A tapping block can also be used to secure the joints together while the planks are in a flat position. Use a piece of scrap flooring with the corresponding male or female joint and a series of light taps until the joint is gradually secured together. Do not hit the edge directly or use excessive force as it could damage the edge of the plank.

SPECIAL INSTRUCTIONS

BATHROOMS

When installing in a bathroom, the flooring can be laid under the toilet provided that the floor is separated from adjacent rooms with a doorway threshold or transition molding. Otherwise the flooring should be fit around the toilet leaving a 1/8" expansion space. Use a high quality acrylic caulking to fill the expansion space at the toilet, bathtub, shower and all wet areas to prevent surface water from seeping under the floor.

STAIRS

Triversa Prime can be installed fully adhered over steps using UnderFlor CR021 Adhesive. Follow the instruction on the adhesive for trowel size and drying time. Always use a stair nose molding to finish each step at the nose.

FULLY ADHERED INSTALLATION

In commercial environments subjected to heavy rolling loads, or where high performance requirements must be met, Triversa Prime can be installed fully adhered using UnderFlor CR021 adhesive. Use a 1/16" x 1/16" x 1/16" square notch trowel. Refer to the CR021 label for recommended substrates and open time. Start the installation at the wall to avoid walking on freshly installed flooring. Transfer the center chalk line to within 24" to 36" from the wall opposite the entrance of the room using a multiple of the plank or tile width. Snap additional chalk lines to divide

the floor into sections for adhesive application. Each section should be about the width of two rows of plank or wide enough that the flooring can be easily installed without reaching too far. Apply CR021 Adhesive in the first section. Spread the adhesive evenly over the subfloor, keeping the trowel at a 45° angle to the surface. Apply only enough adhesive that can be covered with plank or tile within the 20 to 30 minute working time. Before setting tiles or planks, allow adhesive to flash off for 5 to 10 minutes over porous surfaces.

Set planks into adhesive and lock together with a tapping block and hammer. Rest the tapping block on the edge of the flooring, not the locking mechanism, to avoid getting adhesive on the tapping block. Complete each section and repeat to finish the installation.

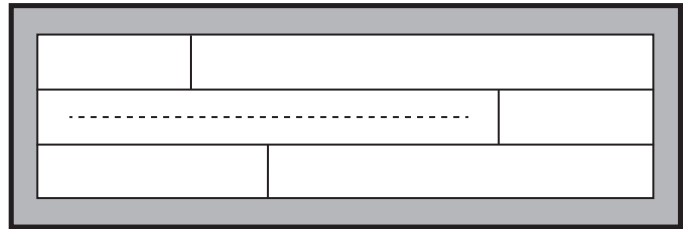
Do not walk on or work on freshly laid flooring until the adhesive has set sufficiently to eliminate shifting. If unavoidable, use a kneeling board to disperse weight. Keep traffic off the newly installed floor for at least 24 hours after installation. Open to light traffic for the next 48 hours. Resume normal traffic after 72 hours.

IMMEDIATELY AFTER INSTALLATION

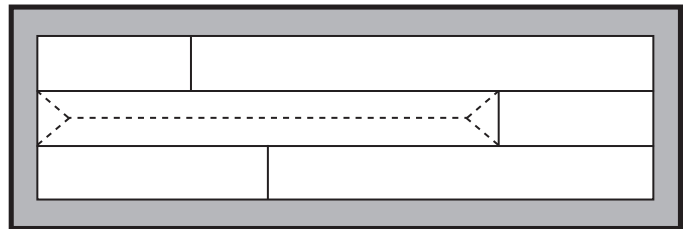
- If necessary, use lighter fluid, paint thinner or mineral spirits applied with a clean white cloth to remove scuffs marks and adhesive residue. Keep traffic off treated area for 30 minutes. **CAUTION: Lighter fluid, paint thinner and mineral spirits are flammable. Carefully read and follow cautionary information on label.**
- Remove all spacers from the perimeter of the room.
- Install the base moldings and fasten the trim to the wall not to the subfloor. Do not drive fasteners into the floor or underlayment.
- All finish trim and transition moldings must be installed so they do not bind or restrict the finished flooring from moving when expansion and contraction occurs during seasonal changes.
- Seal all areas that may be exposed to surface spills, i.e. tubs, toilet and showers with a high quality acrylic caulking.
- Return appliances and furniture to the room by rolling or sliding them over strips of hardboard.

REPAIRS

Use a power circular saw to make a cut down the center of the damaged plank to within 2" of the ends.



Make diagonal cuts from the corner of the plank back to the center cut.



Remove the damaged plank by lifting the edge of each piece until it unlocks.

Prepare the replacement plank by removing the bottom of the groove along the long and short side. Check the replacement piece by laying it into place. The plank should fit neatly into place without gaps at the joints. Remove the plank. Before completing the repair, place a 2" wide strip of wax paper centered under the edge of the tongue on the long and short side. This will prevent adhesive from bonding the plank to the subfloor.

Next apply a 1/8" bead of Loctite Power Grab® Heavy Duty® construction adhesive to the exposed groove along the long and short end of the surrounding planks. Do not use excess adhesive.

Immediately while adhesive is wet install the replacement plank by inserting the tongue into the groove along the long side. Use a tapping block to secure the short end and then drop the plank into position.

Remove excess adhesive from the surface and roll the edges with a steel hand roller. Clean the surface immediately with a clean cloth and mild detergent to remove any adhesive residue. Then dry with a clean soft cloth. Note: adhesive and adhesive film is not removable if allowed to dry on the surface of the floor. Apply weight to the adhered edges for 20 to 30 minutes.

Keep traffic off the repair for 12 hours.

REGULAR CARE

- Sweep or vacuum regularly to remove grit and sand that can abrade, dull or scratch your new floor. Do not use a vacuum with a beater brush, because it may damage the floor's surface.
- Wipe up spills promptly with a damp cloth or mop.
- Wash the floor with Bright 'N Easy No-Rinse Cleaner or other suitable floor cleaner.
- Do not buff the floor.

CAUTION: RESILIENT VINYL FLOORS, LIKE OTHER TYPES OF HARD-SURFACED FLOORS, CAN BECOME SLIPPERY WHEN WET. ALLOW TIME FOR THE FLOOR TO DRY AFTER WASHING. IMMEDIATELY WIPE UP WET AREAS FROM SPILLS OR WET FEET. PLACE MATS AT OUTSIDE ENTRANCES TO PREVENT WATER, SNOW OR ICE FROM BEING TRACKED ONTO THE FLOOR. IMPROPER CLEANERS, POLISHES OR FINISHES CAN ALSO CAUSE SLIPPERINESS.

CAUTION: AVOID ONE-STEP "MOP AND POLISH" PRODUCTS, DISHWASHING LIQUIDS AND OIL-BASED CLEANERS. THESE MAY LEAVE A RESIDUE WHICH CAN ATTRACT DIRT AND DULL THE FLOOR'S FINISH. AVOID CLEANERS THAT CONTAIN ABRASIVES OR SOLVENTS WHICH MAY PERMANENTLY DAMAGE THE FLOOR.

DO NOT USE STEAM CLEANERS ON RESILIENT VINYL FLOORS, THEY CAN PERMANENTLY DAMAGE THE SURFACE.

